

Duett & Solo Coulters

From January 2004 all Duett and Solo Coulters have changed. The changes are outlined in this bulletin.

Duett Coulters

- The part number for the Duett Coultter, Post 2004, is 33010100.
- The Duett frame has has changed. Pre-2004 the part number was 33649200. The part number, Post 2004, is now 33010200. See item 1 on diagram below.
- The Duett Coultter retaining bolts have changed from M12 bolts to M16. See item 2 on diagram below.

Pre-2004 Retaining Bolt and Nut - Part No. 00360344 (M12 bolt) and 00350084 (M12 nut)

is replaced by:

Post-2004 Retaining Bolt and Nut - Part No. 00360150 (M16 bolt) and 00310036 (M16 nut)

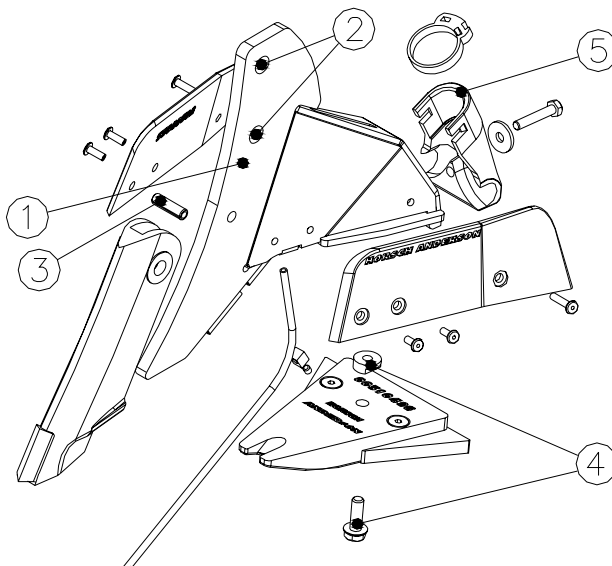
- The roll pin to suit the point has changed. Pre-2004 the part number was 0100344. The part number, Post 2004, is now 00370233. See item 3 on diagram below.
- The retaining bolt for the bottom plate has changed. See item 4 on diagram below.

Pre-2004 Bolt and Nut - Part No. 1014124 (bolt) and 1030568 (nut)

is replaced by:

Post-2004 Bolt and Nut - Part No. 00360120 (bolt) and 33010103 (nut)

- The seed distributor unit part of the coultter frame has changed. Post 2004 the parts required are 33010101 (sowing distributor), 00360007 (retaining bolt), 00370116 (washer) and 00210238 (hose clip). See item 5 on diagram below.
- To enable you to fit the new coultter point to Pre-2004 machines you will also require two bushes (00230216) which will convert the M16 holes to M12. See item 2 on diagram below.



Solo Coulters

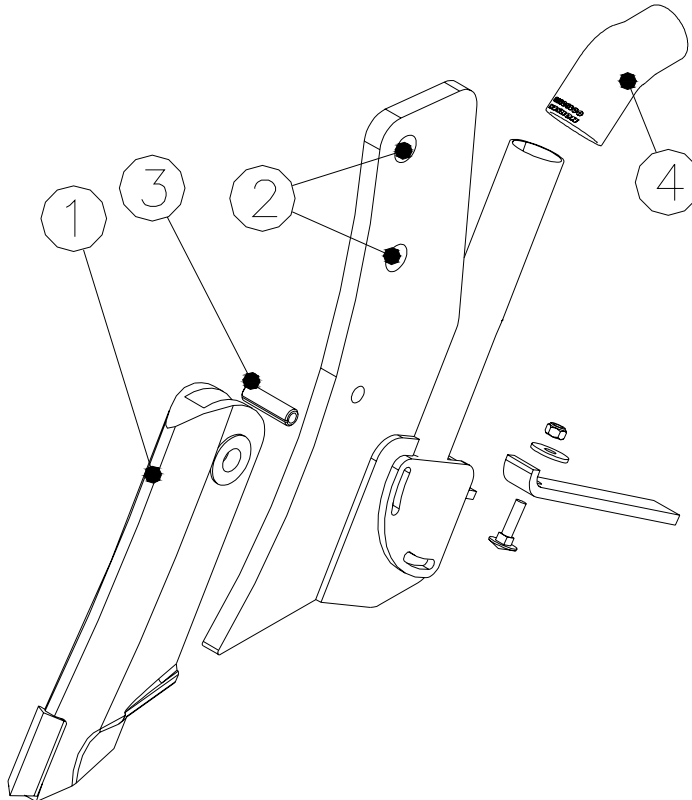
- The part number for the Solo Coulter, Post 2004, is 33010800.
- The Solo Coulter now comes complete with the tungsten point and roll pin. See items 1 and 3 on diagram below.
- The Solo Coulter retaining bolts have changed from M12 bolts to M16. See item 2 on diagram below.

Pre-2004 Retaining Bolt and Nut - Part No. 00360344 (M12 bolt) and 00350084 (M12 nut)

is replaced by:

Post-2004 Retaining Bolt and Nut - Part No. 00360150 (M16 bolt) and 00310036 (M16 nut)

- The roll pin to suit the point has changed. Pre-2004 the part number was 0100344. The part number, Post 2004, is now 00370233. See item 3 on diagram below.
- When fitting the new Solo Coulter to Post-2004 machines you will need to order one of part number 00190189 which is needed to attach the seed hose. See item 4 on diagram below.
- To enable you to fit the new coulter point to Pre-2004 machines you will also require two bushes (00230216) which will convert the M16 holes to M12. See item 2 on diagram below.



Kevin Waddingham
Parts Manager

Tel: (01529) 301207

email: kevin.waddingham@simba.co.uk